

Canon

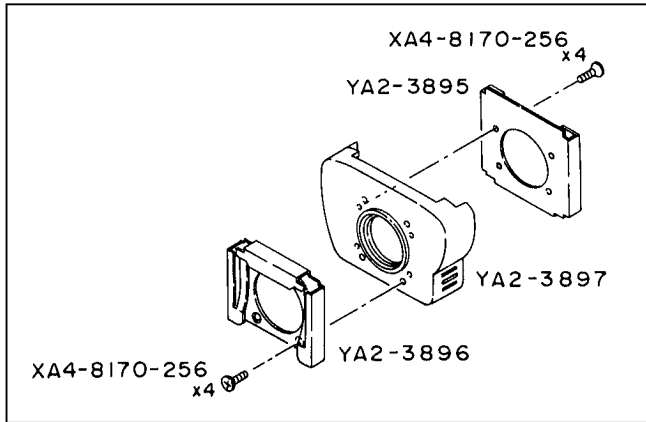
ANGLE FINDER C

REF. NO. C54-0871

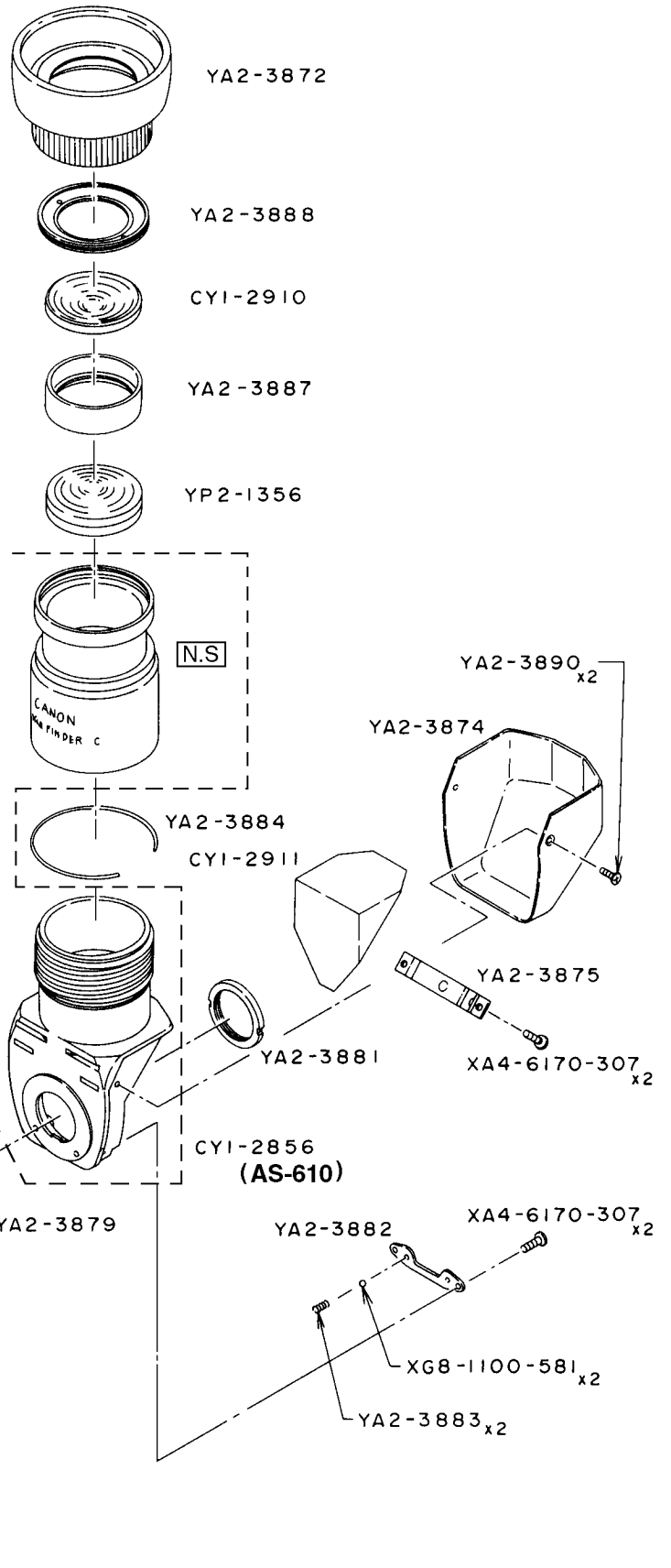
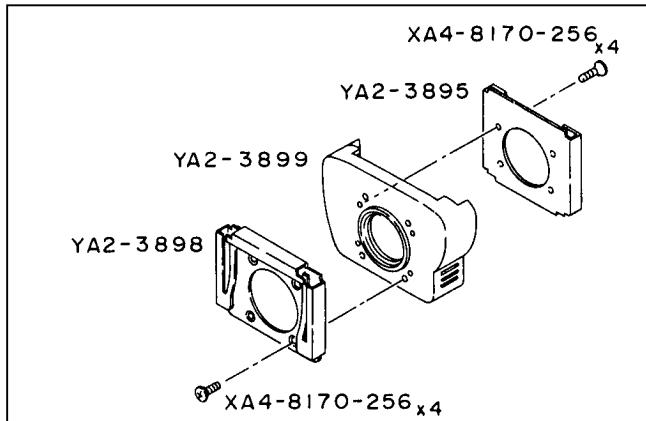
**PARTS
CATALOG**

CANON ANGLE FINDER C

YG2-0429 (ADAPTER Ec-C)



YG2-0430 (ADAPTER Ed-C)



ANGLE FINDER C

REF.NO. C54-0871

NEW	PARTS NO.	CLASS	QTY	DESCRIPTION
	CY1-2855-000	C	1	DUAL LENS UNIT
	CY1-2856-000	C	1	PRISM CASE UNIT
	CY1-2910-000	C	1	LENS, G7
	CY1-2911-000	C	1	PENTAPRISM
	XA4-6170-307		4	SCREW, CROSS-RECESS, PH
	XA4-8170-256		16	SCREW, CROSS-RECESS, PH
	XA4-8170-306		4	SCREW, CROSS-RECESS, PH
	XG8-1100-581		3	BALL, CLICK
	YA2-3872-000	C	1	COVER, EYEPIECE
	YA2-3874-000	C	1	COVER, PRISM
	YA2-3875-000	C	1	HOLDER, PRISM
	YA2-3877-000	C	1	CASE, CHANGE RING
	YA2-3878-000	C	1	PLATE, SHOE
	YA2-3879-000	C	1	PLATE, REVOLVING
	YA2-3880-000	C	1	RING, REVOLVING
	YA2-3881-000	C	1	NUT, REVOLVING
	YA2-3882-000	C	1	HOLDER, CLICK
	YA2-3883-000	C	3	SPRING, COIL
	YA2-3884-000	C	1	SPRING, STOPPER
	YA2-3887-000	C	1	COLLAR, ASSEMBLY
	YA2-3888-000	C	1	COLLAR, ASSEMBLY
	YA2-3890-000	C	4	SCREW
	YA2-3895-000	C	2	SHOE, ADAPTER
	YA2-3896-000	C	1	SHOE A, CAMERA
	YA2-3897-000	C	1	BASE, ADAPTER A
	YA2-3898-000	C	1	SHOE B, CAMERA
	YA2-3899-000	C	1	BASE, ADAPTER B
	YG2-0429-000	C	1	ADAPTER EC-C (MECH)
	YG2-0430-000	C	1	ADAPTER ED-C (MECH)
	YP2-1356-000	C	1	LENS, G5/6